

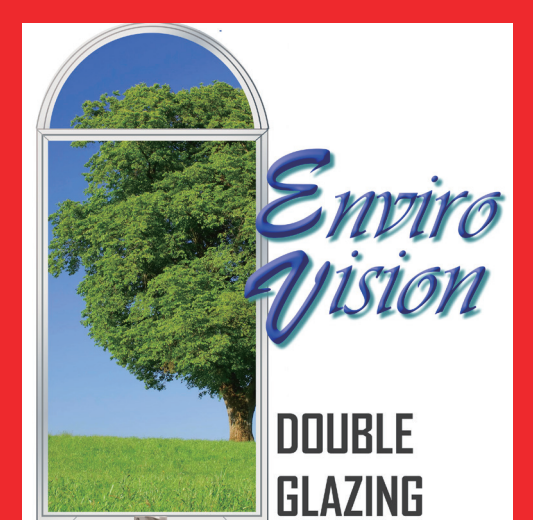


Vision for your Climate Future



Climateframe Group includes Climateframe Trade and Retail Divisions and Enviro Vision (established in 1995)

Climateframe exclusively use  **KÖMMERLING** products





Kömmerling® German Head office in Pirmasens, near the Luxemborg and French borders. It is home to the testing laboratory and their 'Profine' extrusion plant that produces Kömmerling® C70 'tropical' formula uPVC double glazing profile frames for Australia



Climateframe Exclusively and Proudly use Kömmerling®

The KÖMMERLING® brand . . .

The World's Leading uPVC double and triple glazing frame production company with over AUD 1 billion in annual sales, and sold in around 110 countries.

Established in 1897 by Karl Kömmerling® the company started producing uPVC (PolyVinyl Chloride unplasticised) in 1952 and started extruding window and door frames in 1967.

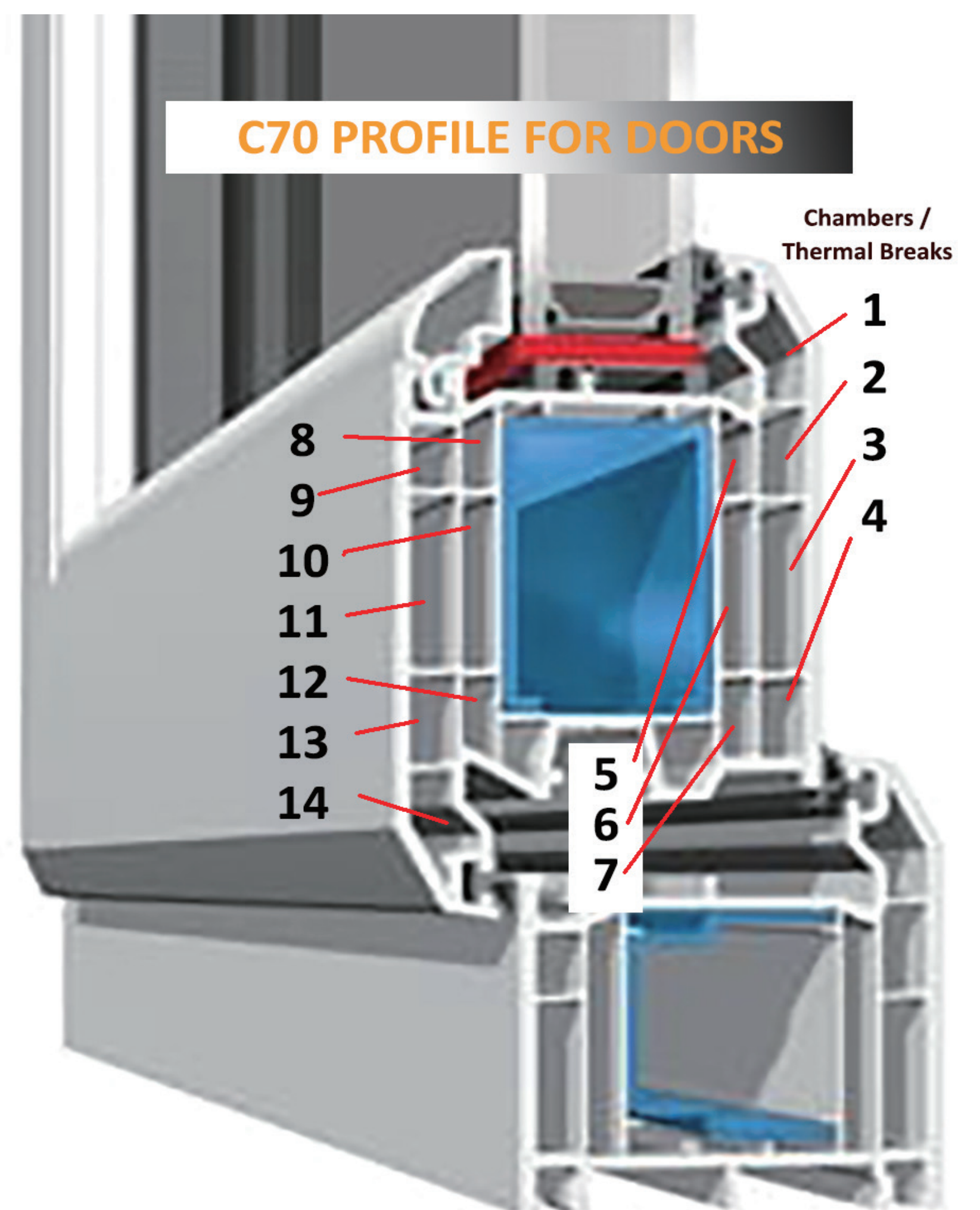
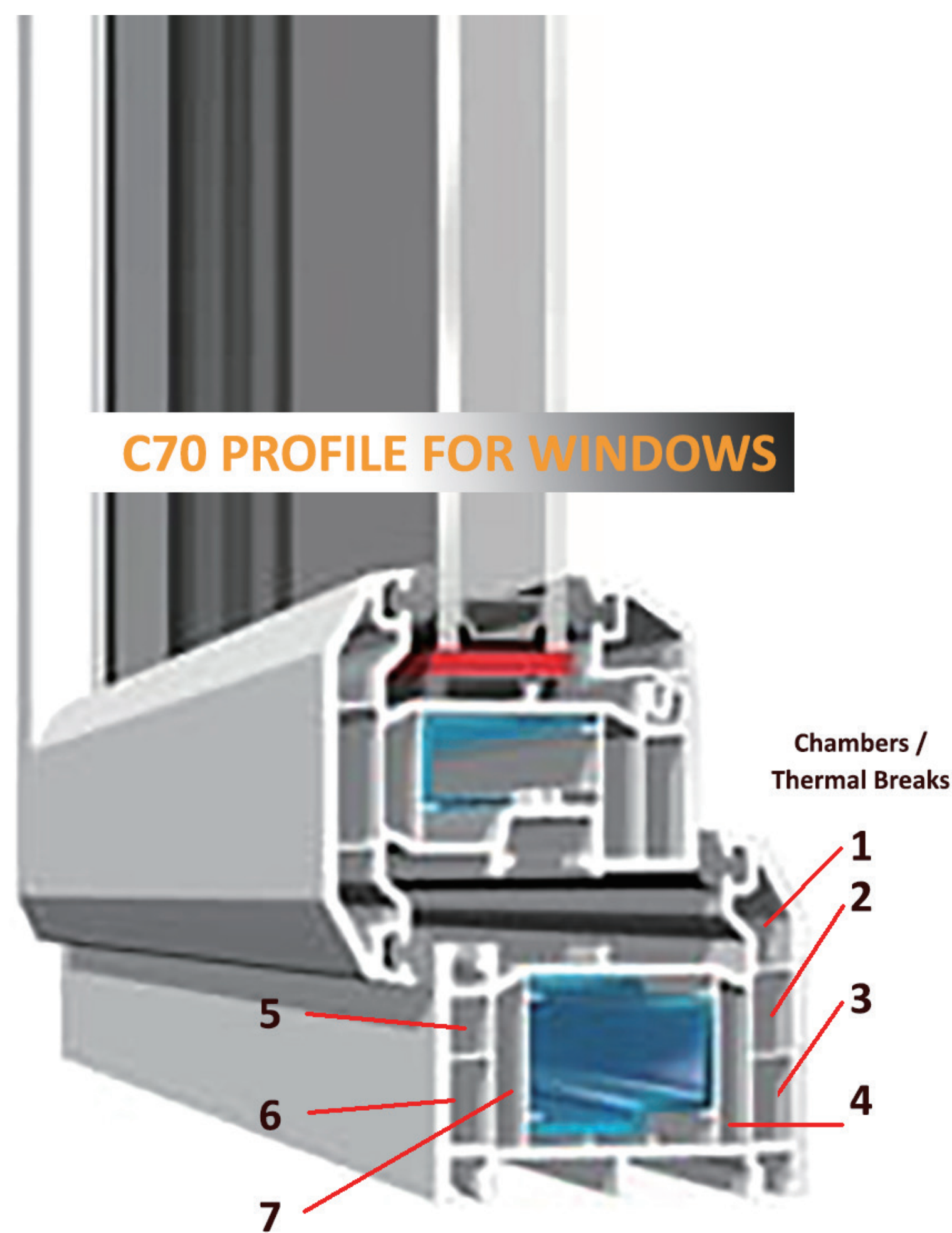
KÖMMERLING® presents an extensive range of window and door profiles that are a clear cut above the competition.

The KÖMMERLING brand attaches great importance to quality. It means not only the harmonised unity of the product range, but also the supervision of all product stages, whether research and development, production, design purpose, or ecological recyclability.

For many years KÖMMERLING® has played a pioneering role in various sustainability related issues - such as recycling, the Zero Pellet Loss programme as part of the effort to keep the oceans clean and the use of energy saving equipment and energy from regenerative sources for production. Our modern, highly insulated window systems also make an important contribution to the achievement of climate targets and CO2 reduction.

The uPVC extrusions division is marketed Worldwide as





Kömmerling® C70 Window Profile

The base frame, like all frame parts is a complex extrusion in unplasticised PolyVinyl Chloride (uPVC) with 7 chambers acting as thermal breaks to minimise transfer of heat, in or out. In the large centre chamber, Australian galvanised steel is fitted on all sides, as an 'anchor' for all hinges, locks and handles. The window frame is designed to slide on the base where required, open out for casement and awning windows and open in for the Tilt & Turn windows. It, too, features Australia galvanised steel inside the centre of all sides.

Kömmerling® C70 Door Profile

With the same / similar base frame, our slider, stacker, hinged and 'Slide & Turn' doors have a larger frame for greater ability to handle the large glass units, and to provide smooth and trouble free, life long service.

Our hinged doors, single or French double have 4 hinges per door, and all doors have multi-point locking mechanisms operated by the single handle.

Our Premi76 door (the Ultimate Sliding Door) uses its own unique frames as it can be manufactured up to 2500mm high and 6000mm wide.

**28mm IGU (insulated glass unit) - Thickest residential IGU in W.A.
and AS 4666-2012 Certified**

4mm (STD) in float or safety based on building codes
or customer request - with options of 6mm and up to
10.5mm (Viridian Hush®) outer glass pane

4mm (STD) or 6mm inner glass pane

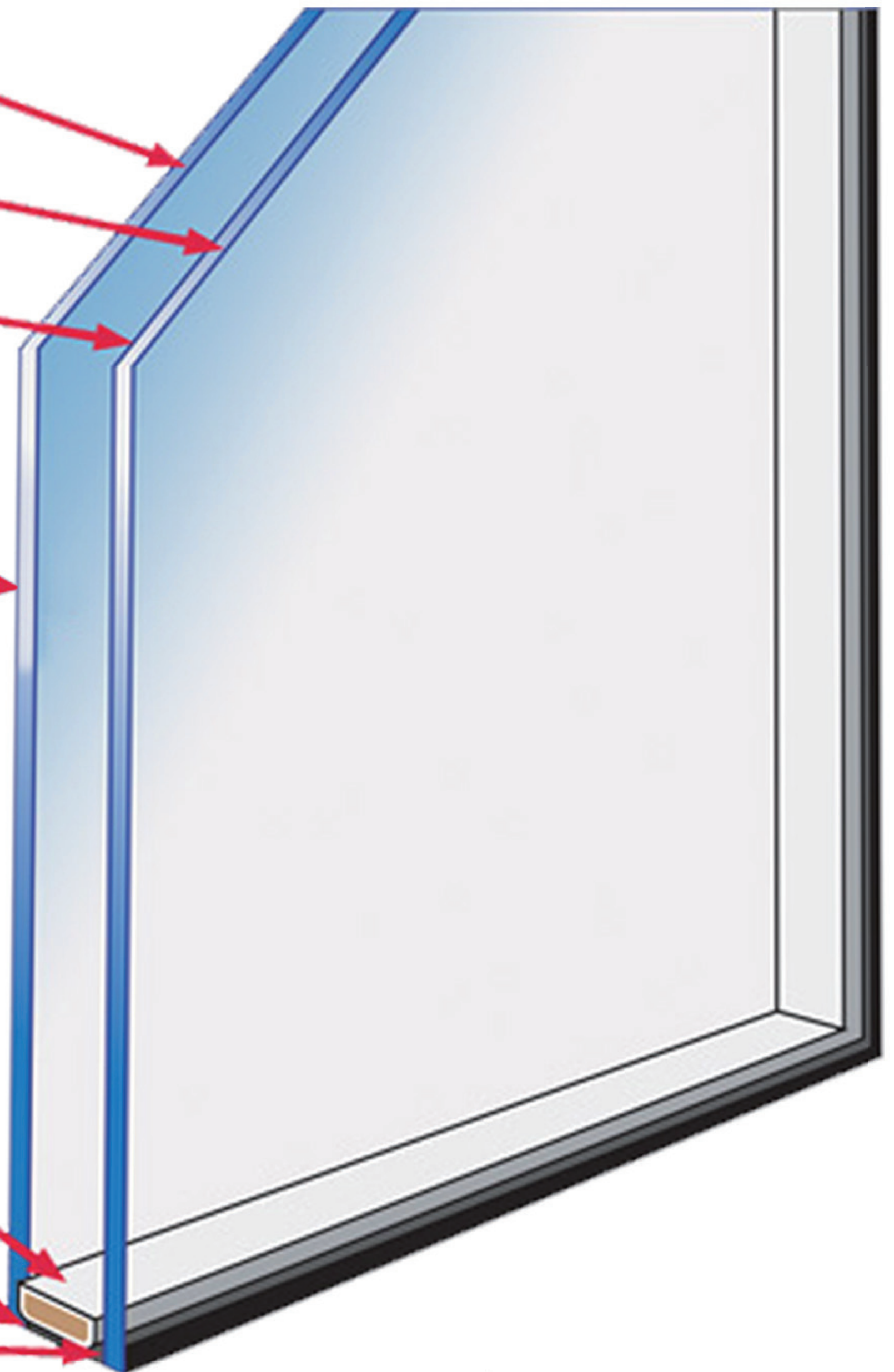
Location of OPTIONAL Low E soft coating
also called a molecular 'sieve'
on the inside of inner glass pane
so it can't be scratched.
(we use Viridian LightBridge® for our Low E)

20mm to 12mm cavity (based on
glass thickness options)
hermetically sealed and charged with inert Argon gas

Aluminium or Thermo Plaster Spacer bar
(relative to glass type)

Polyisobutylene primary seal

Silicone/Polysulphide secondary seal



Custom made for us by

(over 100 glass combinations to suit all heat transfer, noise supression and safety needs)



As the thickest residential IGU in W.A (28mm - IGU 'GLASS SANDWICH')

It provides superior safety, and top ranking Uw ratings based on frames
and glass combinations, tested and certified under the
WERS (Window Energy Rating System)

[CLICK HERE: Independant Australian Test Results for WERS](#)

REMEMBER - the glass unit is just part of the story! To be assured of the full performance
results you need to have glass unit located in a quality uPVC frame, with maximum chambers
(or thermal breaks) to reduce heat and noise transfer through the window frame.



Our Head Office, showroom and factory in Wangara, Perth



Part of our stock of Kömmerling® frame profiles



Just some of this week's frame production



OUR PRODUCTION FACILITY - WE ARE ONE OF ONLY A FEW W.A. MANUFACTURERS.

We are proudly W.A. family owned and operated, employing local West Australians in our factory, training them on the processes as determined by Kömmerling® in Germany. We exclusively use the World Leading Kömmerling® frame profiles, hinges, handles and all mechanism and we use Kömmerling® approved equipment to cut, heat-weld and fit-out every window and door.

We even produce our own flyscreens for all windows, colour matched to the frames, in an aluminium extrusion that sits perfectly into the Kömmerling® profile.

They can be fitted with fibreglass mesh, aluminium mesh or 'Invisi-Gard' Marine Grade 316 stainless steel security mesh.





‘THE BEST SLIDING DOOR IN THE WEST’

OUR PREMI 76 ‘LIFT AND SLIDE’ DOOR

This beautiful sliding door, can be installed in high ceiling openings of up to 2500mm high and openings as wide as 6000mm. This stunning door is often featured in the best luxury homes from Perth 'Luxury' builders.

The handle, when turned horizontal, allows free and easy sliding. When turned to the vertical position it holds the door strongly in that position. In the closed position it seals down to be totally airtight and secure.

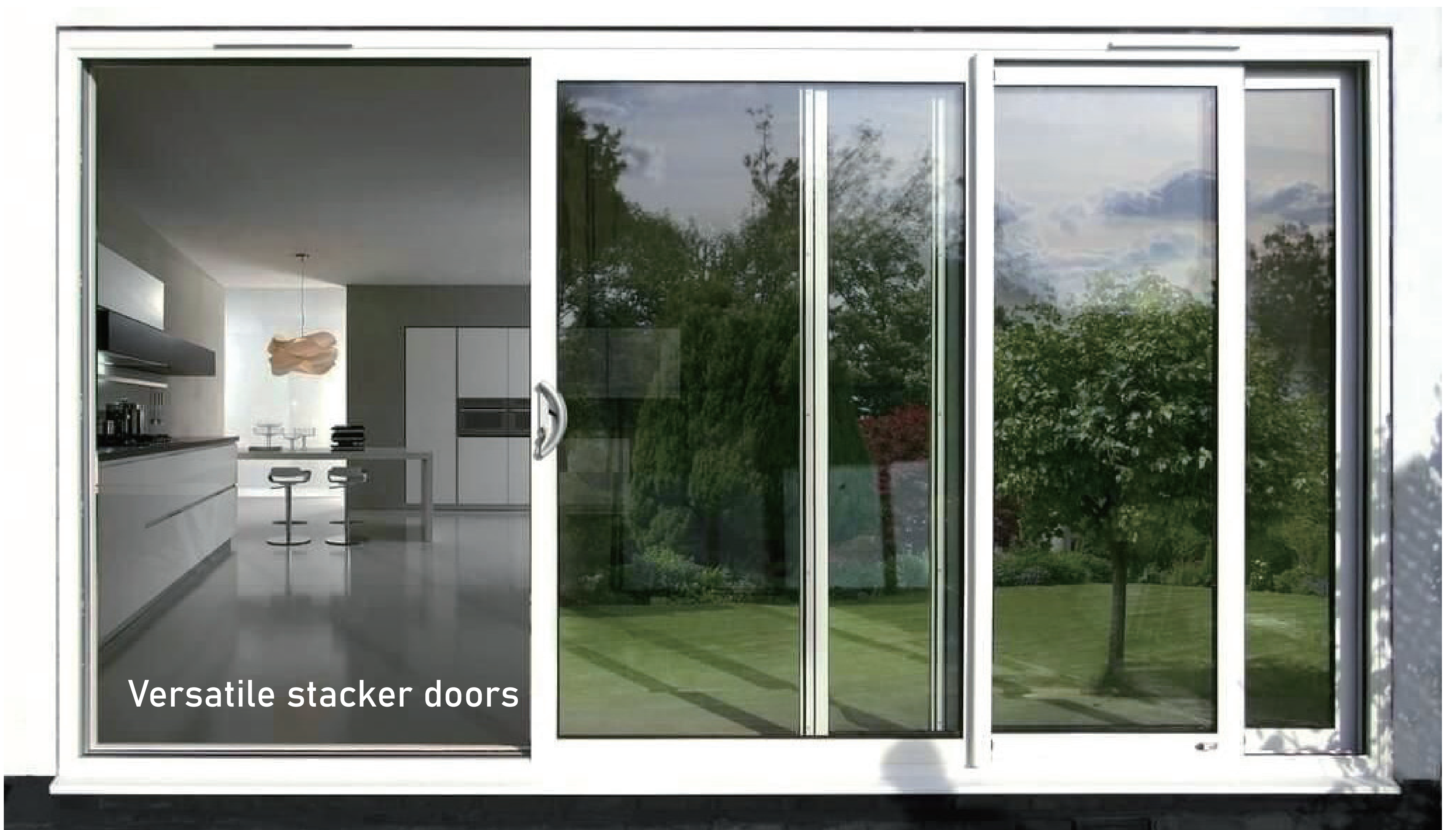
SLIDING OR STACKER DOORS



Huge slider doors with extra fixed panel.

We produce sliding doors with one fixed side and one slider, or opposed pairs of sliders with no centre post and more layouts to suit most needs.

Our stacker doors in 3 or opposed 6 panel (where the door panels slide on separate tracks to double your opening area) are equally spectacular. We have lots of ways to create them to meet your needs, from view, to 'pet doors', to great access to your outdoor entertaining and more.



Versatile stacker doors

HINGED 'RESIDENTIAL', FRENCH AND ENTRY DOORS



Beautiful Double (French) Entry Doors with 'Georgian' bars and matching side panels

Our custom made residential (interior or exterior), French and Entry doors can be made in hundreds of designs, by using mid-rails, transom rails, different glass, Georgian or Diamond bars (built-in the IGU- insulated glass unit -so your glass is obstruction free for cleaning . . . we can do 'cloud' and frosted glass, fixed panels within the door and set for open inwards or outwards.

All our hinged doors have 4 hinges for maximum service life with often no adjustments necessary.



Modern entry door design with 'frosted' glass.





Awning window with scissor winder in Golden Oak woodgrain installed in early 2021 at Shenton Park. All locks are keyed, and this window also has our colour matched flyscreen.

WINDOWS - 5 POPULAR STYLES

When selecting the right window style for you, we look at ventilation / breeze options, coastal conditions / wind loadings, security, look and the view outside, flyscreen options, versatility and, of course, cost.

We offer colour choices from our 5 available frames in stock . . . White, Light Cream*, Mid Grey*, Anthracite/Charcoal* and Golden Oak Woodgrain*. (* extra cost applies)

The main styles are . . .

AWNING WINDOWS - SCISSOR WINDER

The World's most popular style, these top hinged 'scissor winder' (not chain operated) windows offer an uninterrupted view, excellent security, rain protection and flyscreens options. For the 'scissor winder' version a fixed flyscreen is secured with 2 stainless steel locator pins and available in fibreglass, aluminium or marine grade 316 stainless steel security screen.

All mechanisms are from Kommerling® and the German precision is obvious when you try the winder.

The key lock winder comes in colour choices of silver or black or white.



Awning 'push-out' style.

Retractable fibreglass mesh flyscreen with colour matched side runners, base slide and wind box at top (not in pic).



AWNING WINDOWS - PUSH-OUT

The 'push-out' version of awning windows, which is top hinged, opens out approximately to 55 degrees and can have a restrictor fitted to limit the opening angle for security or wind pressure issues. The window has a key-lock handle with a full airtight closed position, as well as a small ventilation setting.

The colour matched top box and rails secure the fibreglass mesh retractable flyscreen pulls down from the top and secures on the bottom frame of the window, naturally only in the open position. This means a flyscreen-free uninterrupted view in the closed position.

This combination is also a very effective 'servery' option.



A pair of casement windows with optional Georgian Bars)

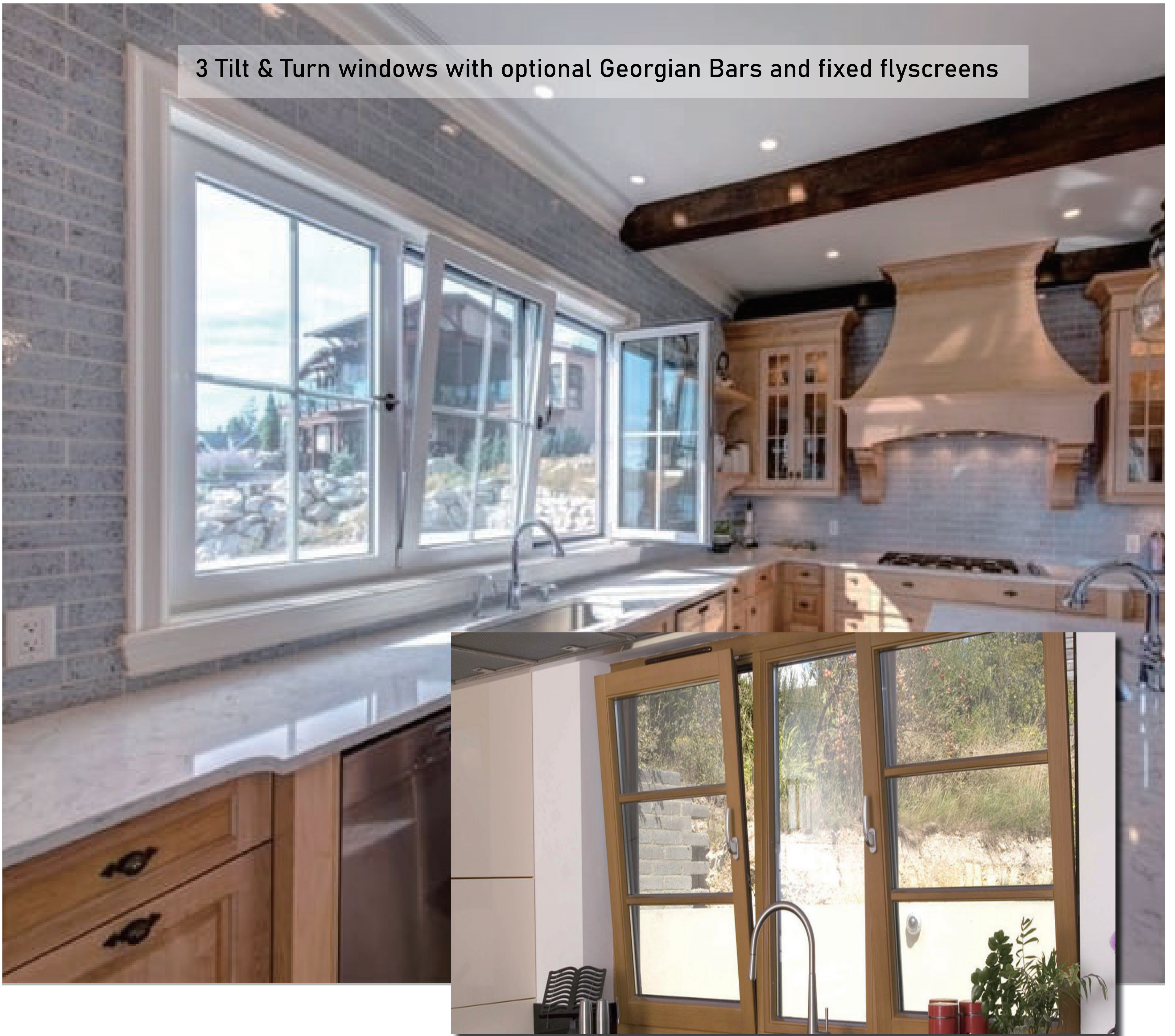
CASEMENT WINDOWS

Casement windows are side hinged and open out to an angle of approximately 80 degrees, or may be fitted with a restrictor. Offering full breeze, and 'servery' style use, casement windows are a classic style. There is a full airtight lock or a slight ventilation setting. Once again they are key-lock fitted.

Consideration should be given to rain entry if left open overnight, or while away from home . . . and some security concerns exist when open.

They can be fitted with retractable fibreglass mesh flyscreens.

3 Tilt & Turn windows with optional Georgian Bars and fixed flyscreens



TILT AND TURN WINDOWS

The versatile Tilt & Turn window has two modes.

For ventilation, just turn the handle to the vertical position and lightly pull to open the top inwards about 180mm, providing ventilation while still offering great security and protection from rain.

For the full breeze or window cleaning, turn the handle to horizontal and the entire window swings inwards on its side hinges. It also allows you to remove the fixed flyscreen, if fitted, to give it a clean as well.

Tilt and Turn windows with 2 midrails and finished in Golden Oak woodgrain look.

Tilt and Turn window without a flyscreen can act as seryery in kitchens and breakfast rooms.

The Tilt and Turn window allows a virtually uninterrupted view and can be manufactured to larger dimensions than awning windows as it is top and side hung.

This option works well if you have a view from a second floor or above, and cleaning the outside of the existing windows is a real task.



SLIDER WINDOWS

Most popular with W.A. builders in the 1970s slider windows were an economical **single glaze aluminium** window.

Our Double Glazed slider windows in our Kömmerling® uPVC frames provide great reductions in heat transfer (around 4.5 times better than metal frames) and huge noise reduction (around 44 decibels). They are more rigid, fire retardant, environmentally produced and recyclable, airtight when closed, have multiple locking latches operated by the single turn handle and can withstand strong winds and powerful rain.

Like all our doors and windows, they come with a 28mm thick Australian Standards certified W.A. made IGU (Insulated Glass Unit) which is the thickest residential IGU in W.A.

We produce 'in-house' and can provide fixed fibreglass mesh, aluminium mesh flyscreens colour matched aluminium frame that sits into our Kömmerling® profile.

We can also supply and install Marine Grade 316 stainless steel security mesh from 'InvisiGard'.

Sliding windows have three lots of frames (outer frame, fixed window frame, slider window frame) impacting on price, they may let in rain if open and you are asleep or away when the rain comes, they cannot be locked in any open position (except with a single lock bolt installed on the frame - extra cost), ... and the view is interrupted by the large centre posts . . . so they are not our most popular choice.

Gallery of just some of our recent work.



WHY CLIMATEFRAME ?

Our Group was the first WA manufacturer of uPVC double glazing windows and doors - and even today there are just 3 companies doing volume double glazed production in W.A.

We are 'West Aussie' owned and operated by the Hodgetts family - the MD Tony, GM of Production his son Jake and our HomeBase display sales representative is Tony's wife Frith.

We exclusively use products of the World leading Kömmerling® of Germany - frames, hinges, handles and mechanisms.

Our frames are the thickest in W.A. (from 43mm to 76mm wide depending on the window/door type, with the largest number of chambers (thermal breaks). We have a minimum of 7 chambers versus the just 3 or 5 from the other W.A. manufacturers using frames from other suppliers. The wider frame ensures the best noise suppression (around 44dB reduction) and minimum heat transfer IN during hot days and OUT when you have heated a room.

We have the widest residential Insulated Glass Unit in W.A. at 28mm, providing peak performance . With hundreds of glass combination, including the famous Viridian Glass range we can provide even greater results if needed in noise reduction, low E, greater Uw ratings, even for Bushfire Attack Levels (BAL).

Our top quality IGU (Insulated Glass Units) are manufactured in Western Australia at Walsh's Glass of Canning Vale.

Our 10 year warranty is 'real' as we have been in business for over 25 years!

We are justifiably proud of our customer reviews, please see Google Reviews for yourself.

[Google Reviews - click here](#)

More things that make us special . . .

All our residential and french doors have 4 hinges to ensure years of trouble free service.

We manufacture our flyscreens and security screens for our windows in-house . . . and use an external supplier, with whom we have had a long relationship, for flydoors and security doors.

All our windows and doors have multipoint locking (up to 4 lock sets activated by the airtight close) and Bluescope galvanised steel inserted on all 4 sides for mechanisms anchoring and strength and awesome security.

Our capacity in production means we very seldom have delays, so the period from your first payment to installation is around 3 to 5 weeks.

All production uses the cut and heat-welding equipment recommended and approved by Kömmerling®

All staff are trained on Kömmerling® systems and processes.

As a major supplier to many trade builders, premium custom and project home builders and even other double glazing companies we enjoy annual sales volume that allows us to be competitive in price with other W.A suppliers - even with our World leading products and our proud service record.

CLIMATEFRAME GROUP (incorporating Enviro Vision - established 1995)

ABN : 59 604 092 355

51 Innovation Drive, WANGARA WA 6065

sales@climateframe.com.au

FREECALL: 1300 859 394

